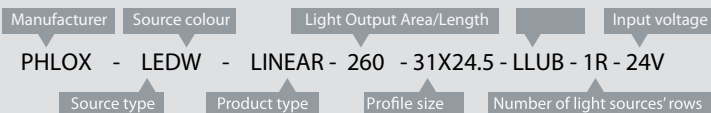


A VISION
AHEAD



HOW TO READ THE PRODUCT KEY



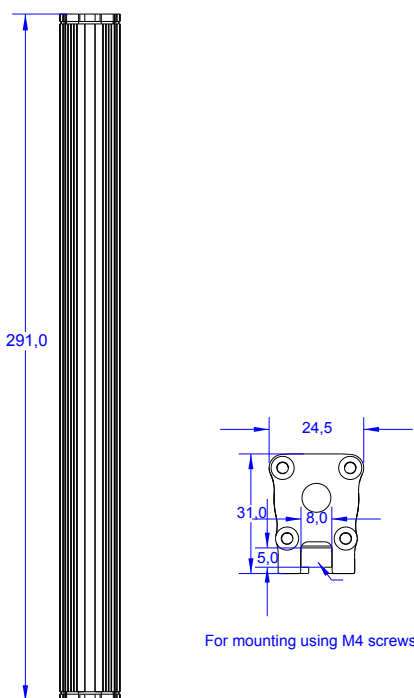
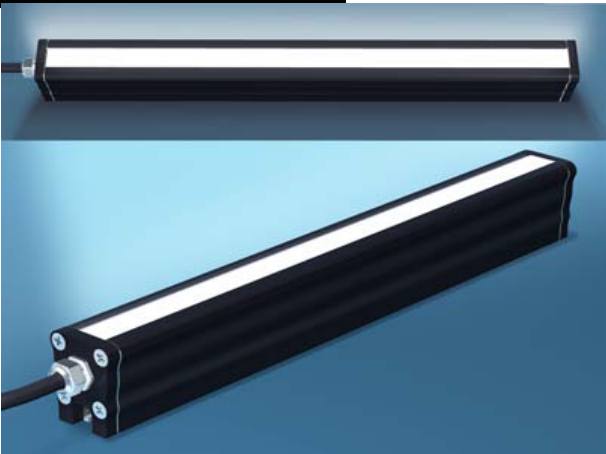
PHLOX® EXCLUSIVE LIGHT PROCESS
WORLDWIDE PATENT ISSUED

NEW!

White led Linear light 260

LESS THAN 20% LUMINANCE LOSS AFTER 100 000 HOURS (*)
LESS THAN 10% CHROMATICITY SHIFT AFTER 100 000 HOURS (*)

PHLOX - LEDW - LINEAR - 260 - 31X24.5 - LLUB - 1R - 24V



Linear lights by PHLOX® offer the best life cycle, the best chromaticity stability and the best luminance on the market, all in an ultra compact aluminium body. PHLOX® is the only manufacturer to provide an ifor-mity and luminance datas on the quality control seal positioned at the back of every backlight.

DESIGNED FOR YOUR APPLICATION

- High speed inspection (glass and plastic)
- Linear inspection of reflective materials
- Web inspection
- Linear inspection of transparent materials
- Large surface inspection
- Quality control with transparency.

& YOUR INDUSTRIAL SECTOR

- Glassmaking
- Pharmaceutical/Cosmetics
- Automotive
- Agribusiness
- Electronics
- Aeronautics and space.

Illumination

Luminance minimum	≥300 000 cd/m ² continuous mode
Uniformity minimum	≥90% (+/- 10%) (260x4mm)
Source Type	White LED
Colour Temperature	5700°K (+/-500)
Light Angular Distribution	30° 1/2 angle
Expected Life	> 100 000 hours

Electrical

Input Voltage	24 VDC (continuous mode)
Input Current	≤750 mA (continuous mode)
Cable length	2 M – Ø 3.7 mm (6.56 ft – Ø 0.14")
Connector	None
Cable pinout	■ ±
CE Conformity	Yes
Strobe mode	Max. Cur: 3A / Pulse Width: 10ms / Duty Ratio: 1/10

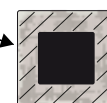
Outer unit

L x W x H	291 x 31 x 24.5mm (11.45 x 1.22 x 0.96")
Housing Material	Black Anodized Aluminium
Weight	180 g (6.3 oz)
Mounting	Mounting with M4 screws

Environmental

Max. Operating Humidity	95% non-condensing
Operating Temperature	50°C (122°F) max
Storage Temperature	60°C (140°F) max
Shelf life	12 months from date of purchase
Max.temp.on housing	+80°C (+176°F)

area of temperature measurement
30mm all along the edges of the back of
the black anodized aluminium housing
(see image)



IP40 (IP65 on request)

Do not cover the light when it's switched on.

Accessories

LED Dimmer: 28V-5A very compact and easy to use
Product key: PHLOX DIM LIGHT



Power supply: 110V and 220V
Product key: ALIM-24V-2.5A60WEU or ALIM-24V-2.5A60WUS

LED Strober: 28V - 5A (up to 40A in pulse mode)
Pulse width between 2µs and 10ms
Product key: PHLOX STROBE LIGHT



CLASS 1: Low RISK (CIE S2009:2002/NF EN 62471)

RoHS directive compliant

Each PHLOX Backlight is provided with:

- 24 months warranty
- Certificate of uniformity and luminance
- Seal of quality on the back

June 3 2019