

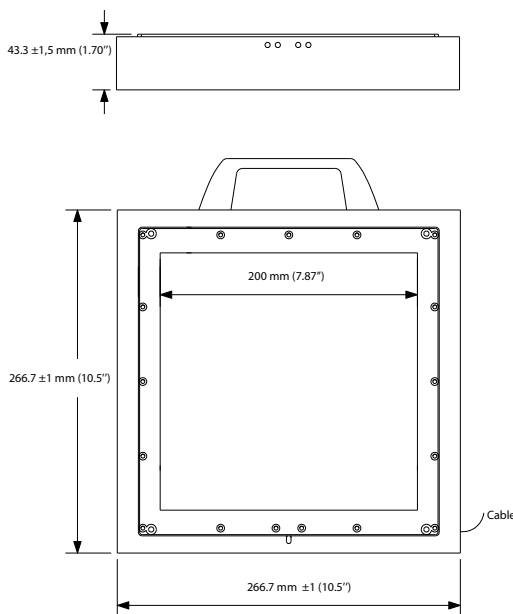
Manufacturer	Source colour	Light Output Area/Length	Injection process	Input voltage
PHLOX	LEDW	BL 200x200	HSC	Q - 1R - 24V
	Source type	Product type	Range	Number of light sources' rows per circu

PHLOX® EXCLUSIVE LIGHT PROCESS
WORLDWIDE PATENT ISSUED

NEW!

HSC (High Speed Camera) White led Backlight 200x200

PHLOX - LEDW - BL - 200x200 - HSC - Q - 1R - 24V



Illumination

Luminance minimum	≥140 000 cd/m ² continuous mode
Uniformity minimum	≥95% (+/- 10%)
Source Type	White LED
Colour Temperature	5700°K (+/-500)
Light Angular Distribution	30° 1/2 angle (less stray light)
Expected Life	> 20 000 hours

Scan for DS
and 3D Files !



Electrical

Input Voltage	24 VDC (continuous mode)
Input Current	≤5 A (continuous mode)
Cable length	0.5 M - Ø 3,6 mm (1.64 ft - Ø 0.142")
Connector	None
Cable pinout	None
CE Conformity	Yes
Strobe mode	Max. Cur: 32A / Pulse Width: 10ms / Duty Ratio: 1/10

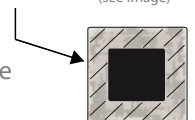
Outer unit

L x W x H	266.7 x 266.7 x 43.3 mm (10.5 x 10.5 x 1.70")
Housing Material	without handle Black Anodized Aluminium
Weight	3850 g (135.8 oz)

Environmental

Max. Operating Humidity	95% non-condensing
Operating Temperature	40°C (104°F) max
Storage Temperature	50°C (122°F) max
Shelf life	12 months from date of purchase
Max.temp.on housing	110°C (+230°F) max

30mm all along the edges of the back of the black anodized aluminium housing (see image)



Do not cover the backlight when it's switched on.

Accessories

LED Dimmer 28V-5A very compact and easy to use
Product key: PHLOX DIM LIGHT

LED Strobe 48V - 5A (up to 40A in pulse mode)
Pulse width between 2µs and 10ms
Product key: PHLOX STROBE LIGHT



Backlight + power supply: ask for «HSCAT» version»

DESIGNED FOR YOUR APPLICATION

Shadowgraphy, Particle analysis, Ballistics, Spray analysis (water, paint, fuel, etc...)
Droplet impaction, Bubble formation, Powder, solid particles, Emulsions and dispersions
Welding, Liquid interface

CLASS 0: NO RISK (CIE S2009:2002/NF EN 62471)

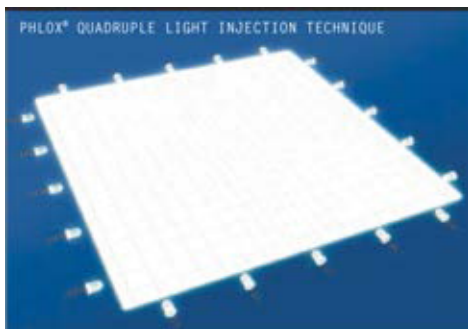
RoHS directive compliant

Each PHLOX Backlight is provided with:

- 24 months warranty
- Certificate of uniformity and luminance
- Seal of quality on the back

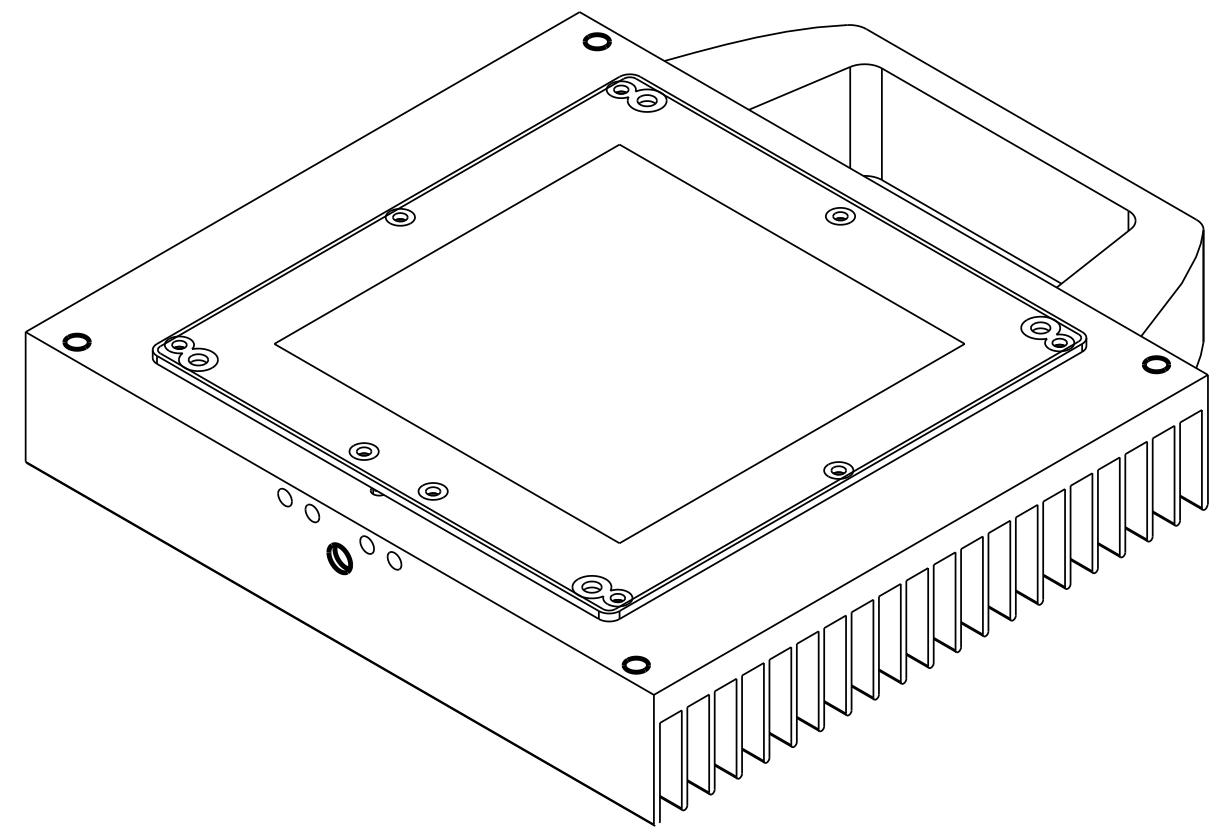
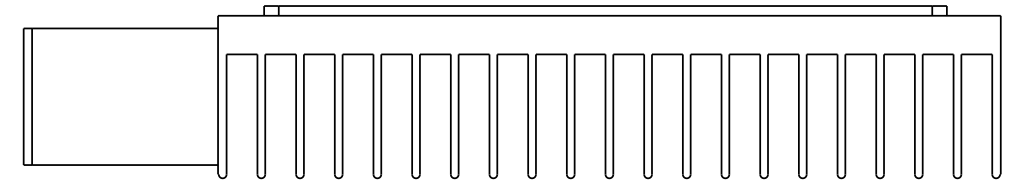
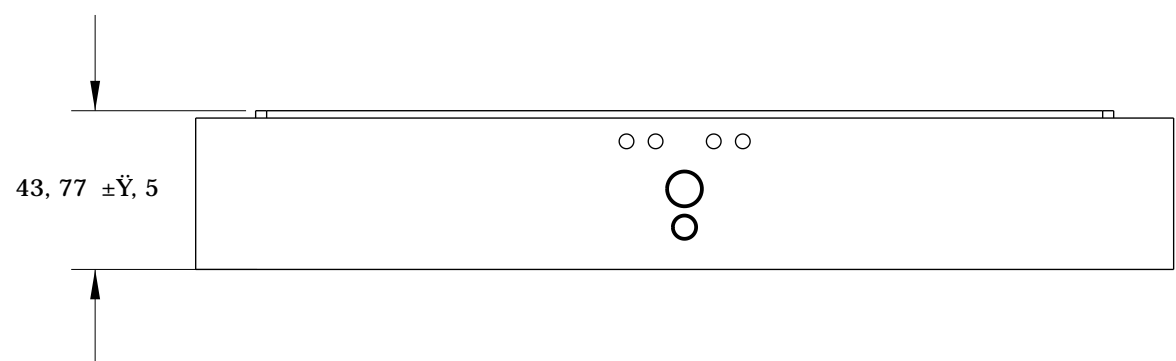
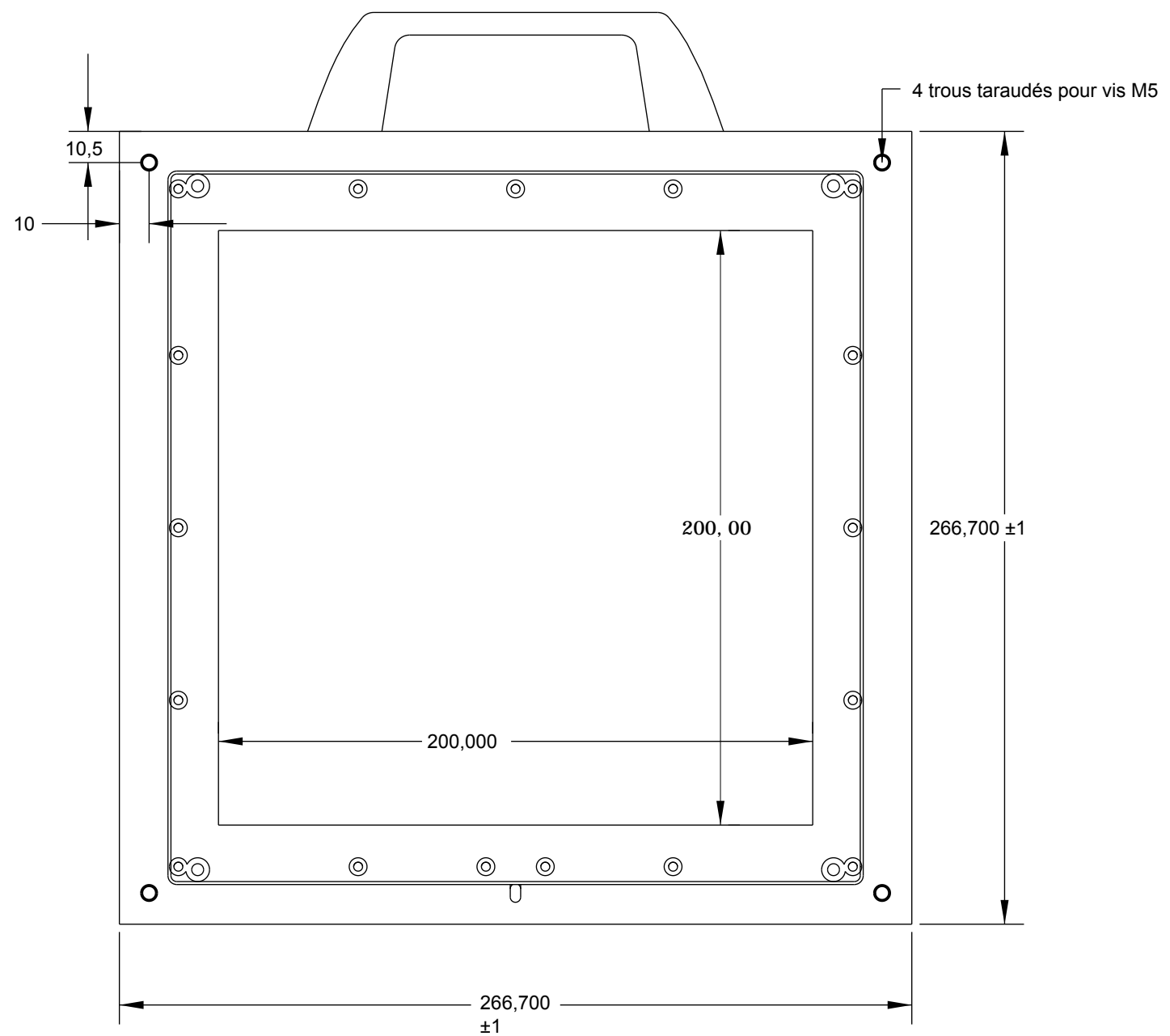
May 16, 2022


HSC Backlights by PHLOX®, designed for the Phantom® High Speed Camera offer the best luminance on the market.



INNOVATION

PHLOX® uses optical processes: a PMMA pipe lighted by a linear source made up of LED (Light Emitting Diodes). Our manufacturing process (CO2 laser) enables us to combine refraction and diffusion which improves backlight luminance. Up to 90% of the light injected can be reemitted on the surface. Thanks to the use of mathematical models, PHLOX® emits light in a determinist and perfectly controlled manner



PROPRIÉTÉ DE PHLOX SA- REPRODUCTION INTERDITE SAUF ACCORD ÉCRIT	
PHLOX-LEDW-BL-200X200-HSC-Q-1R-24V	
TEL: 04 42 90 76 20	