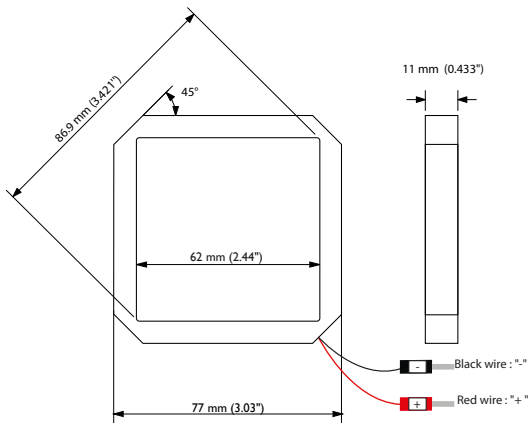


DATA SHEET - 36 months warranty*
- Certificate of uniformity and luminance
- Seal of quality on the back

NVIS MIL STD 3009 compliant

White led Backlight for 3ATI LCD 0 & 45°

PHLOX-LEDW-BL-3ATI-NVIS-AN-Q-1R-CUR



General tolerances: ± 0.25mm

Illumination

Luminance on the backlight (typical)	≥12 000 cd/m ²	NVIS	≥200 cd/m ²
Luminance on the backlight (max.)	≥29 700 cd/m ²		≥700 cd/m ²
Luminance through LCD (typical)	≥1 320 cd/m ² (11%)		≥21 cd/m ² (11%)
Uniformity minimum	≥95% (+/- 10%)		≥90% (+/- 10%)
Source Type	White LED		
Chromaticity	5700° K (+/- 1000) x=0.329 (±0.025); y=0.3417 (±0.025)		5000° K (+/- 1000) x=0.3558 (±0.025); y=0.4446 (±0.025)

Light Angular Distribution

Expected Life (with typical luminance) **50 000 hours**

Electrical

Input Current (typical)	0.12 A	NVIS	0.009 A
Input Current (max.)	0.3 A		0.030 A
Power consumption (typical)	2.36 W		0.17 W
Power consumption (max.)	6.27 W		0.6 W
CE Conformity	Yes		

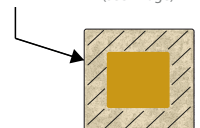
Outer unit

L x W x H	77 x 77 x 11 mm (3.03 x 3.03 x 0.43") ± 0.25mm
Housing Material	1200 Alodine Anodized Aluminium
Weight	96 g (3.38 oz)

Environmental

Operating Humidity	-30 / + 80°C (-22 / +176°F)
Max. Operating Humidity	95% non-condensing
Storage Temperature	-55 / +90°C (-67 / +194°F)
Shelf life	12 months from date of purchase
Max.temp.on housing	+100°C (+212°F)

area of temperature measurement
30mm all along the edges of the back of
the anodized aluminium backlight
(see image)



Heat sink in under Purchaser's responsibility. A heat dissipation is needed in order to not exceed the maximum temperature on the housing stated above.

Do not cover the backlight when it's switched on.

Maintenance

To remove dust from the lighting surface, switch the backlight off before starting work, use exclusively ALTUGLAS CLEANER, on a clean, soft, lint-free cotton cloth. Do not press hard on the lighting surface.

* Warranty

See our General Conditions of Sales (GCS). For the coverage of our warranty, all the instructions in our GCS, in this Datasheet and on the back of the backlight shall be followed.

Do not disassemble the backlight !

If a problem occurs, send us the backlight serial number and a description of the problem to rma@phlox-gc.com. RMA n° will be sent to you.

CLASS 0: NO RISK (CIE S2009:2002/NF EN 62471)

RoHS or **NON-ROHS** if exemption

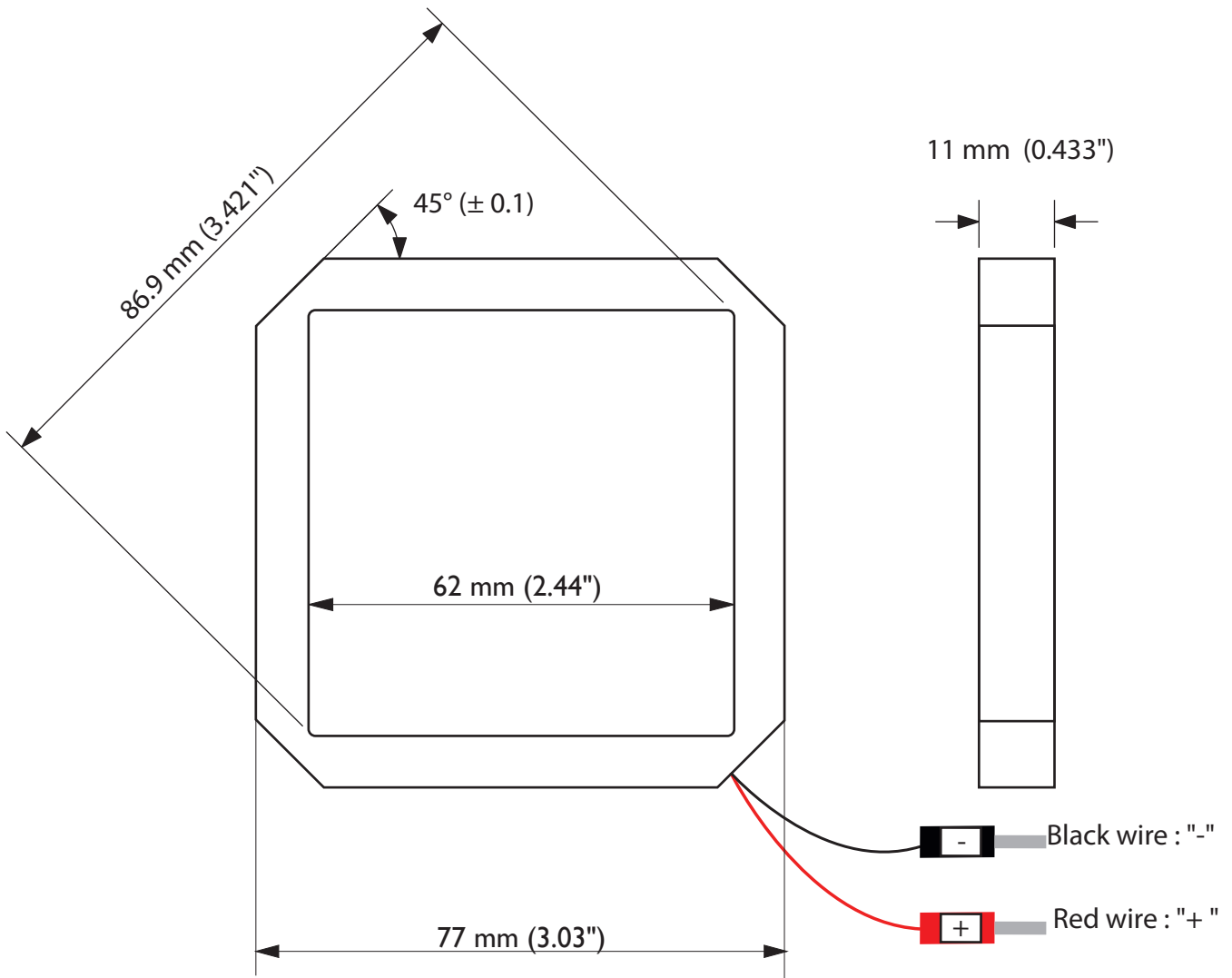
July 16, 2020


The PHLOX® High Bright white led Backlights a new generation of backlights which enhances the MTBF and the efficiency, superior to competitive systems. PHLOX® technology is the result of several years of research in optics and electronics. This research has led to the filing of several international patents, proof of our technological advance. Our know-how is expressed in the manufacturing of the light guide according to the patented PHLOX® process and in the optimisation of its coupling with the light source, combined with high-grade optical components

PHLOX® Backlights excel in Civilian and Military Airplanes

"First of all, our clients have confidence in the intrinsic qualities of our products, their efficiency and low consumption of energy, obviously their luminance as well as their uniformity, their longevity and compact size...

Finally, our capacity to rapidly create prototypes (less than 5 weeks from design to delivery) is often a decisive factor."



PROPRIÉTÉ DE PHLOX SA- REPRODUCTION INTERDITE SAUF ACCORD ÉCRIT		
PHLOX-LEDW-BL-3ATI-NVIS-AN-Q-1R-CUR		
TEL: 04 42 90 76 20 FAX: 04 42 90 76 21	Tolérances générales / general tolerances: ± 0.25 mm	